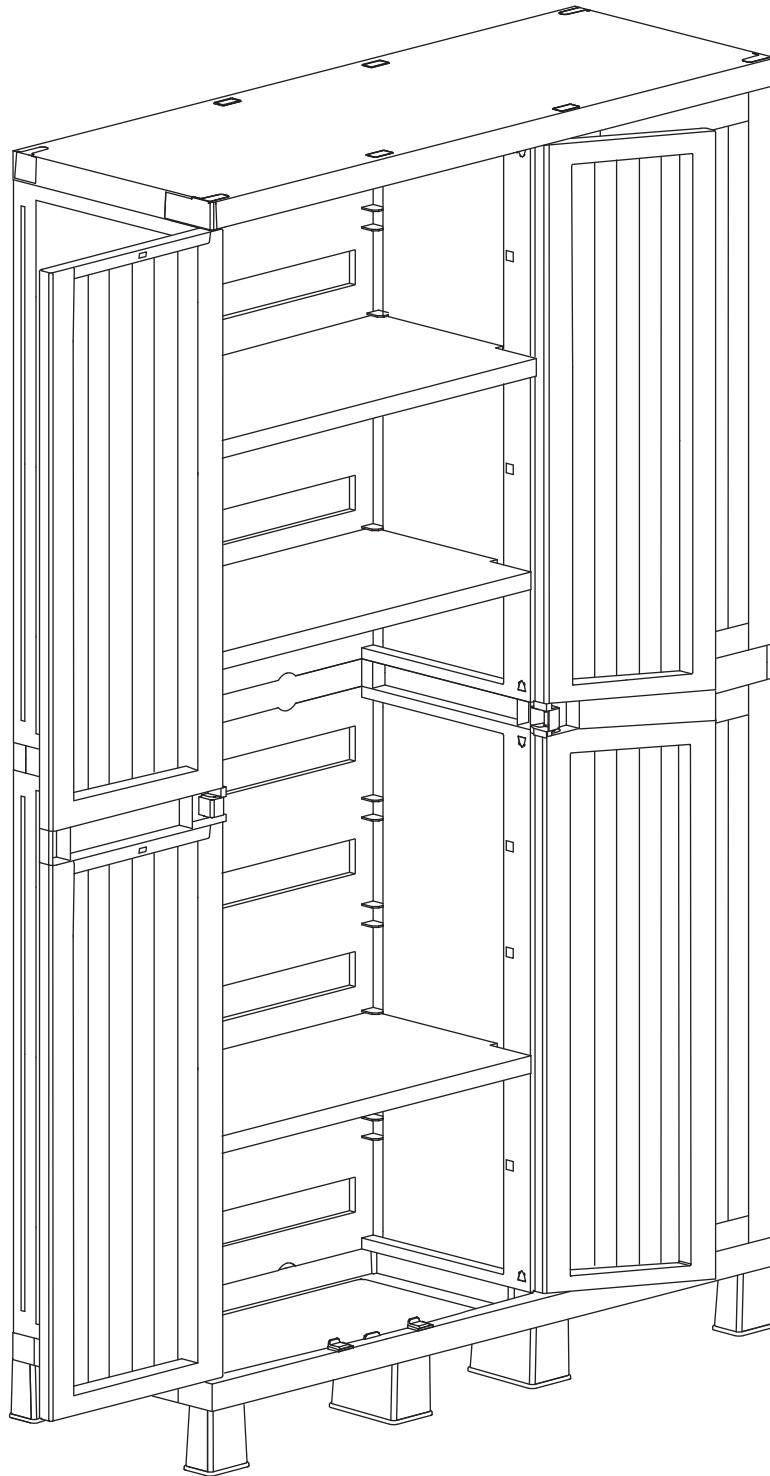


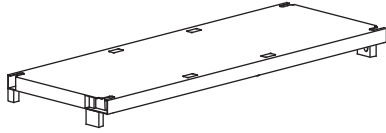
# WOOD MIDI



**Art. 269** cm 97x37x173h | in 38x15x68h

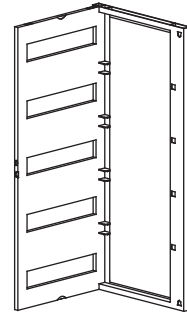


**Z**



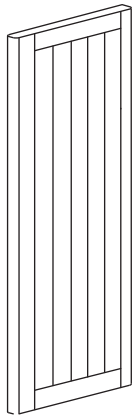
**PZ / PCS 2**

**B**



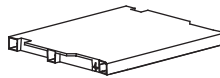
**PZ / PCS 6**

**C**



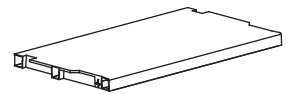
**PZ / PCS 6**

**V**



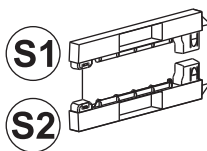
**PZ / PCS 1**

**D**



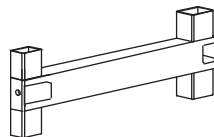
**PZ / PCS 3**

**S**



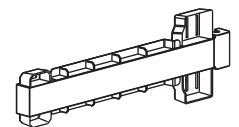
**PZ / PCS 1**

**P**



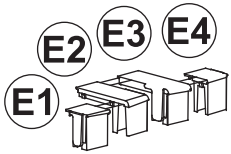
**PZ / PCS 3**

**N**



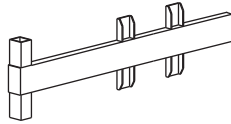
**PZ / PCS 3**

E



PZ / PCS 1

M



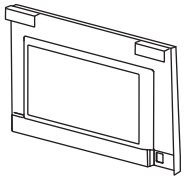
PZ / PCS 2

I



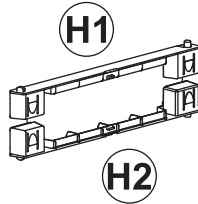
PZ / PCS 12

Q



PZ / PCS 1

H



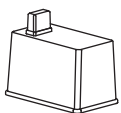
PZ / PCS 3

U



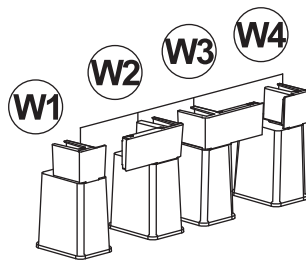
PZ / PCS 3

J



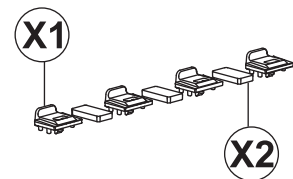
PZ / PCS 4

W



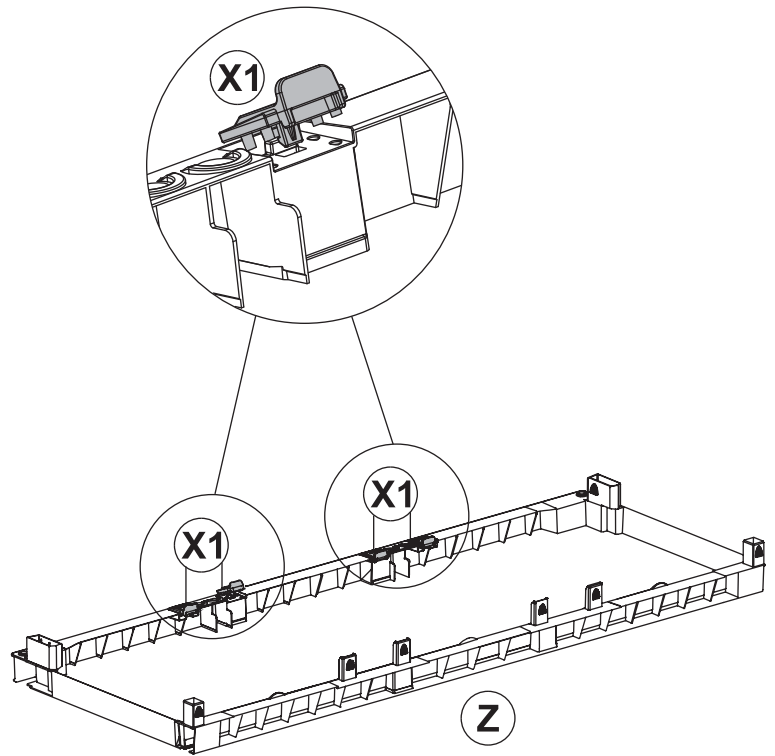
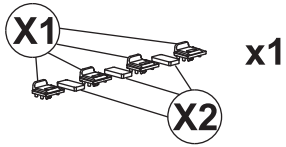
PZ / PCS 1

X

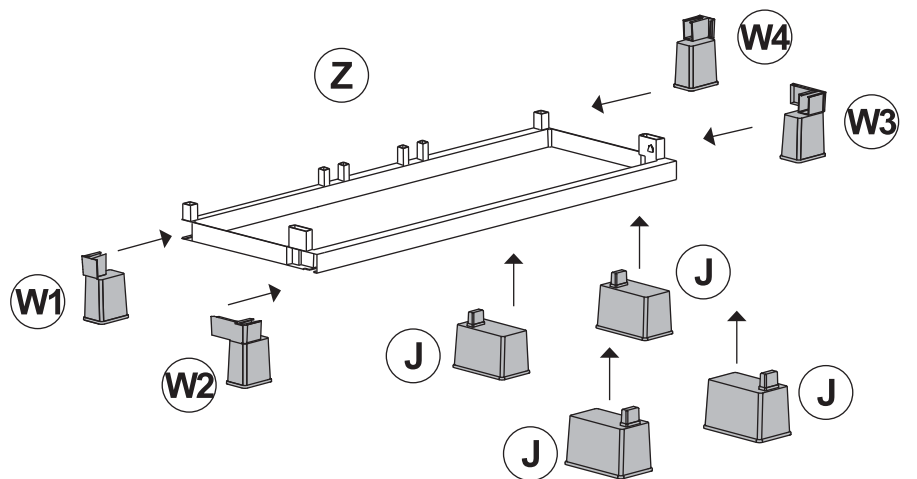
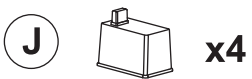
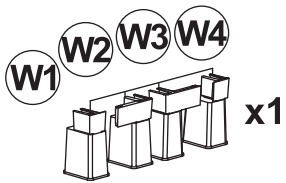


PZ / PCS 2

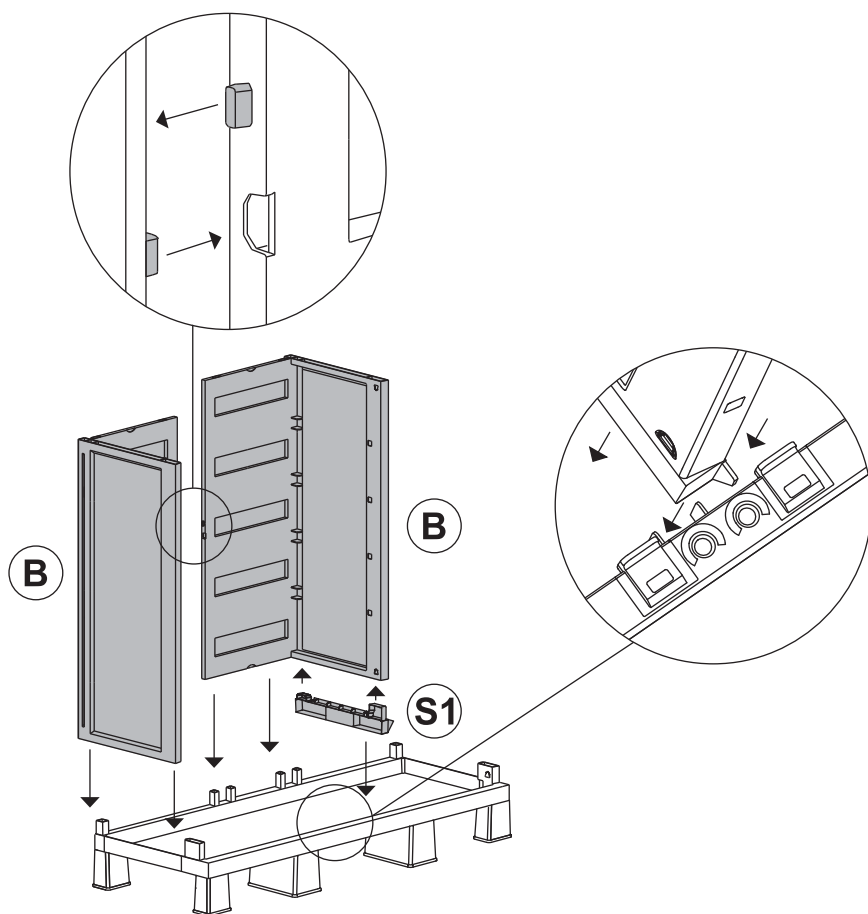
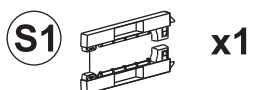
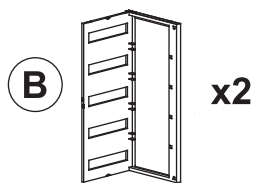
1



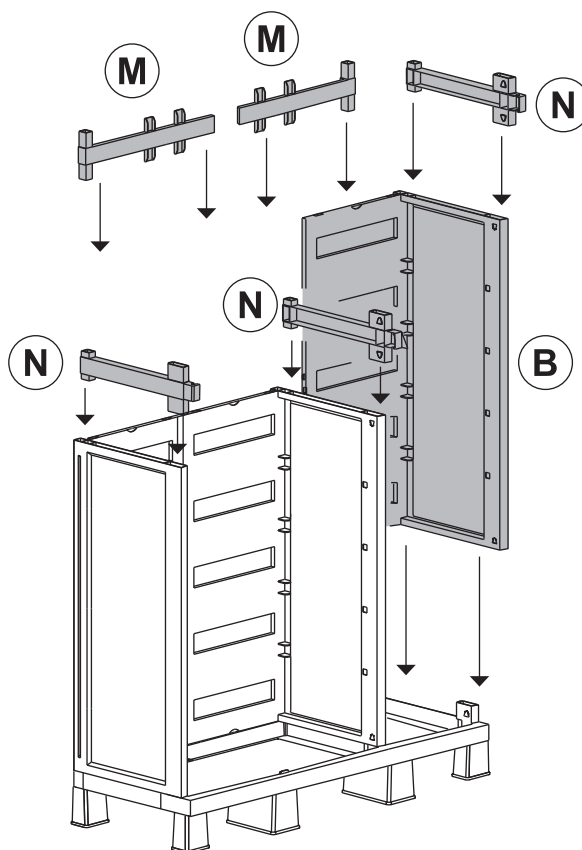
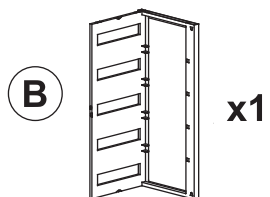
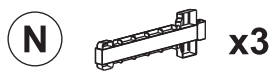
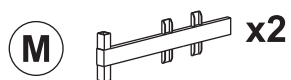
2



3

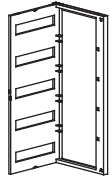


4



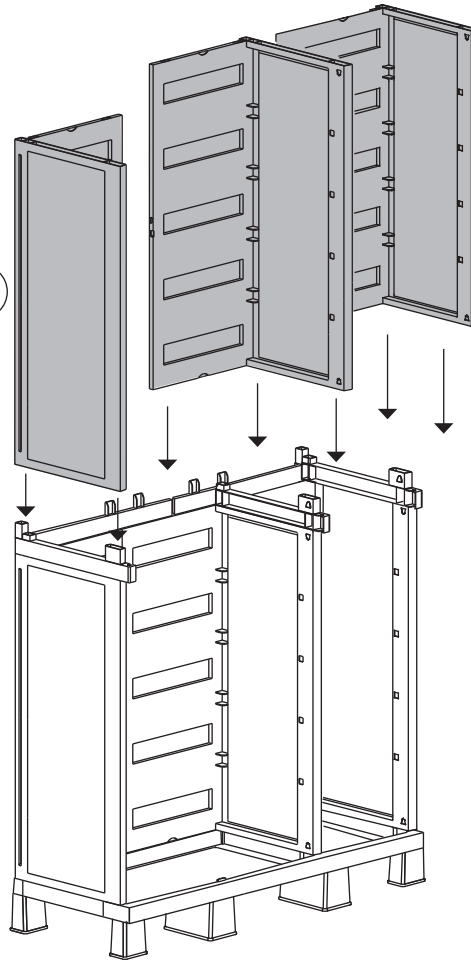
5

B



x3

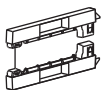
B



B

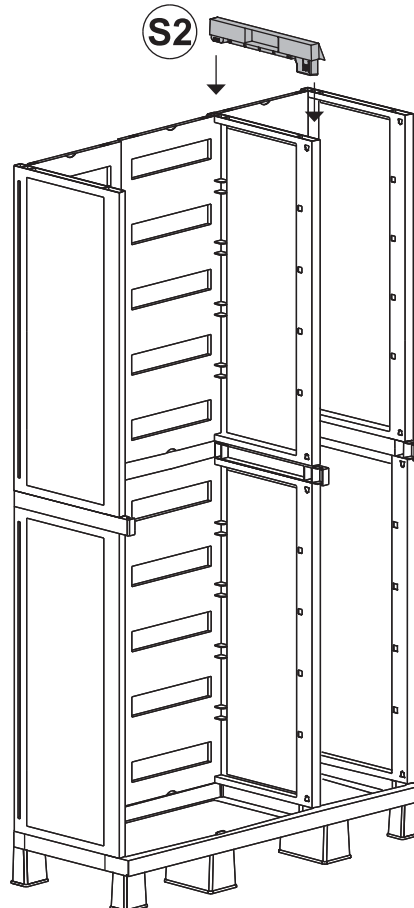
6

S2



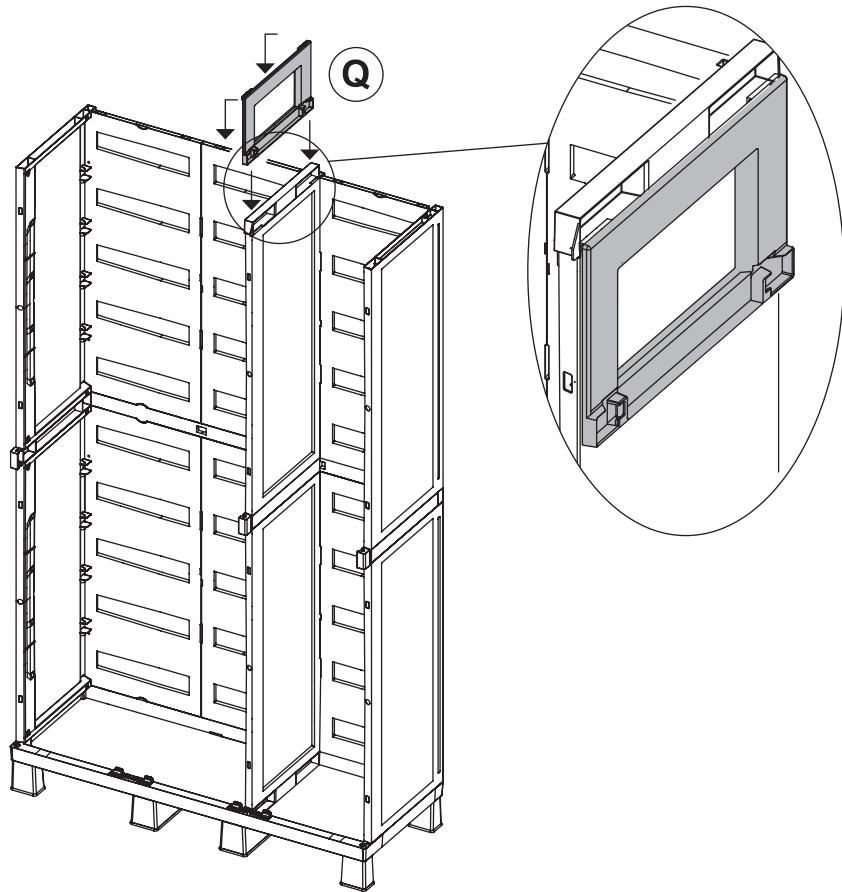
x1

S2



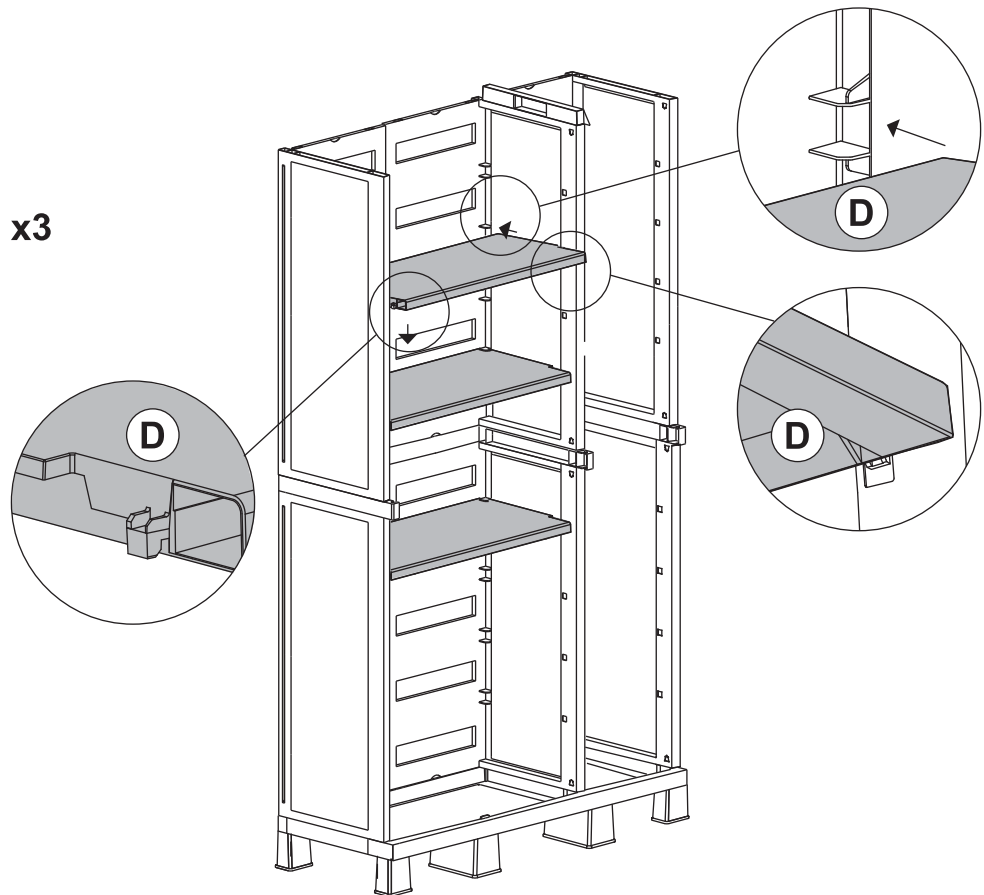
7

Q x1



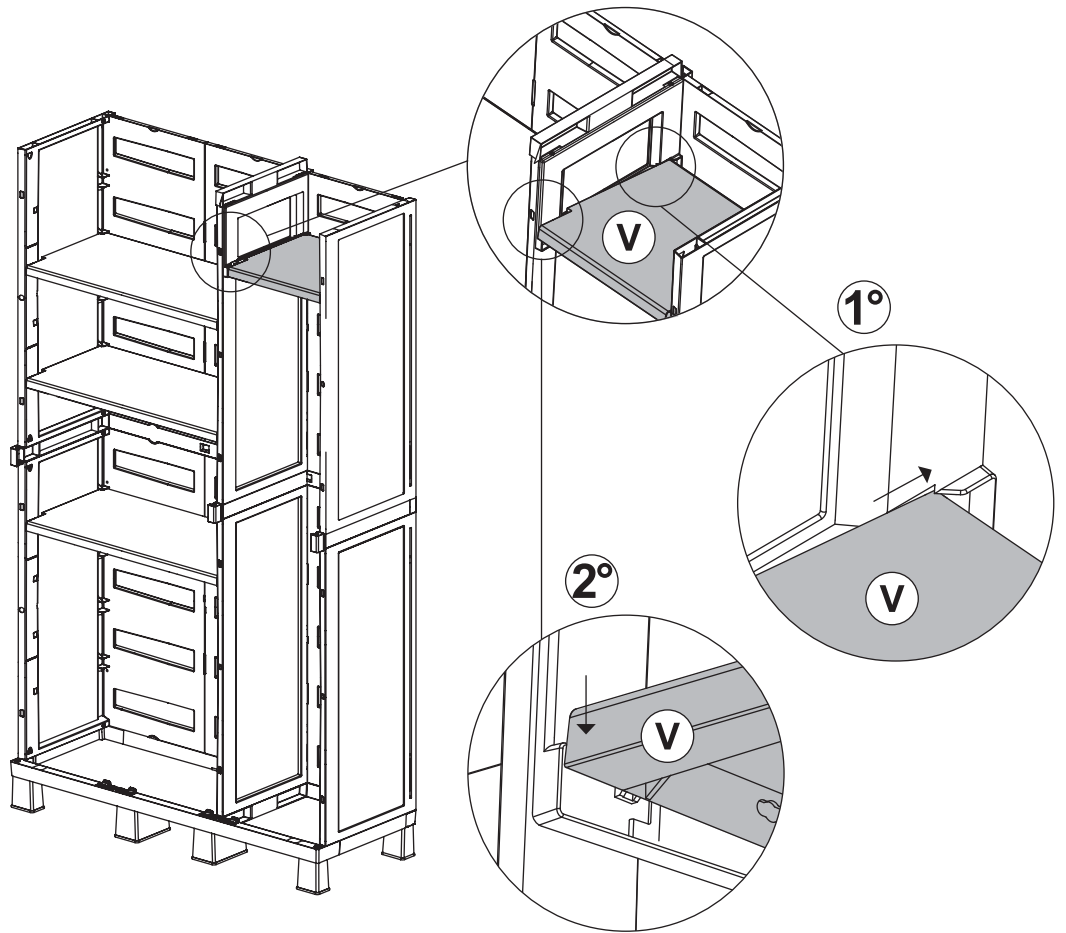
8

D x3



9

V x1

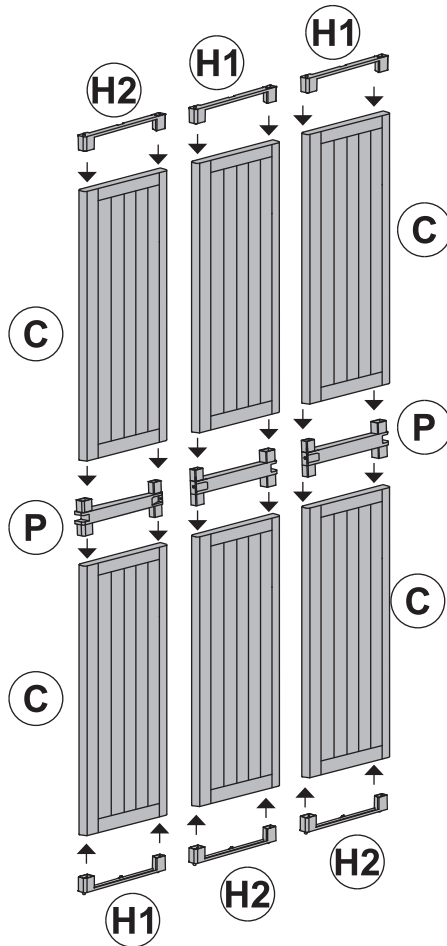


10

C x4

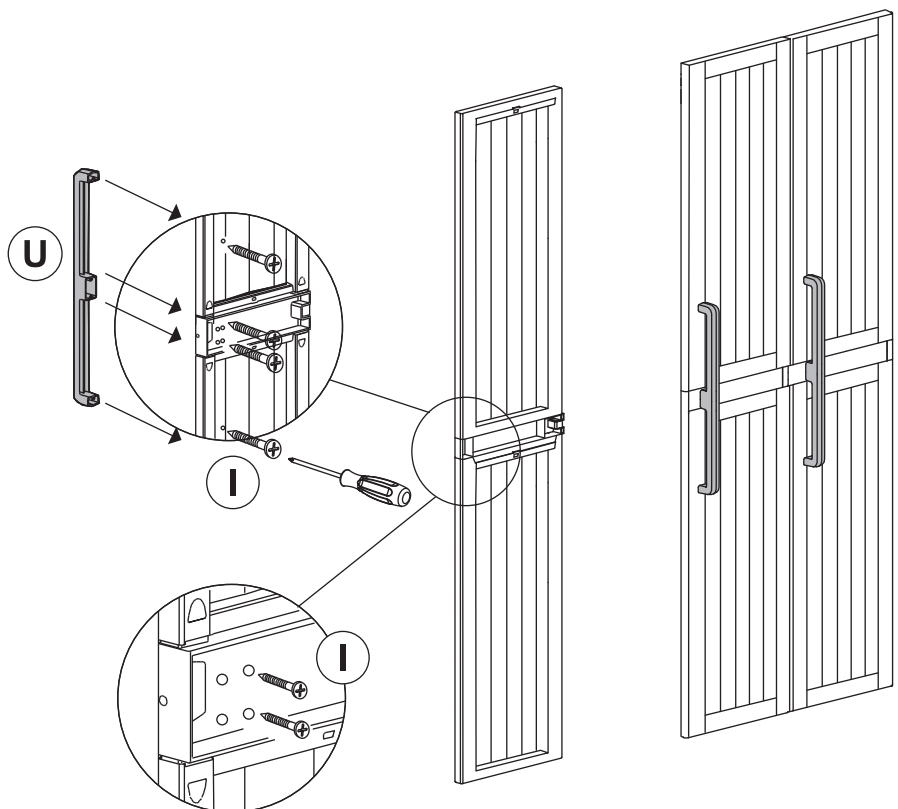
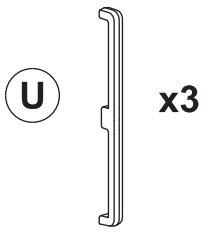
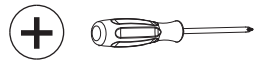
P x3

H1 x3  
H2

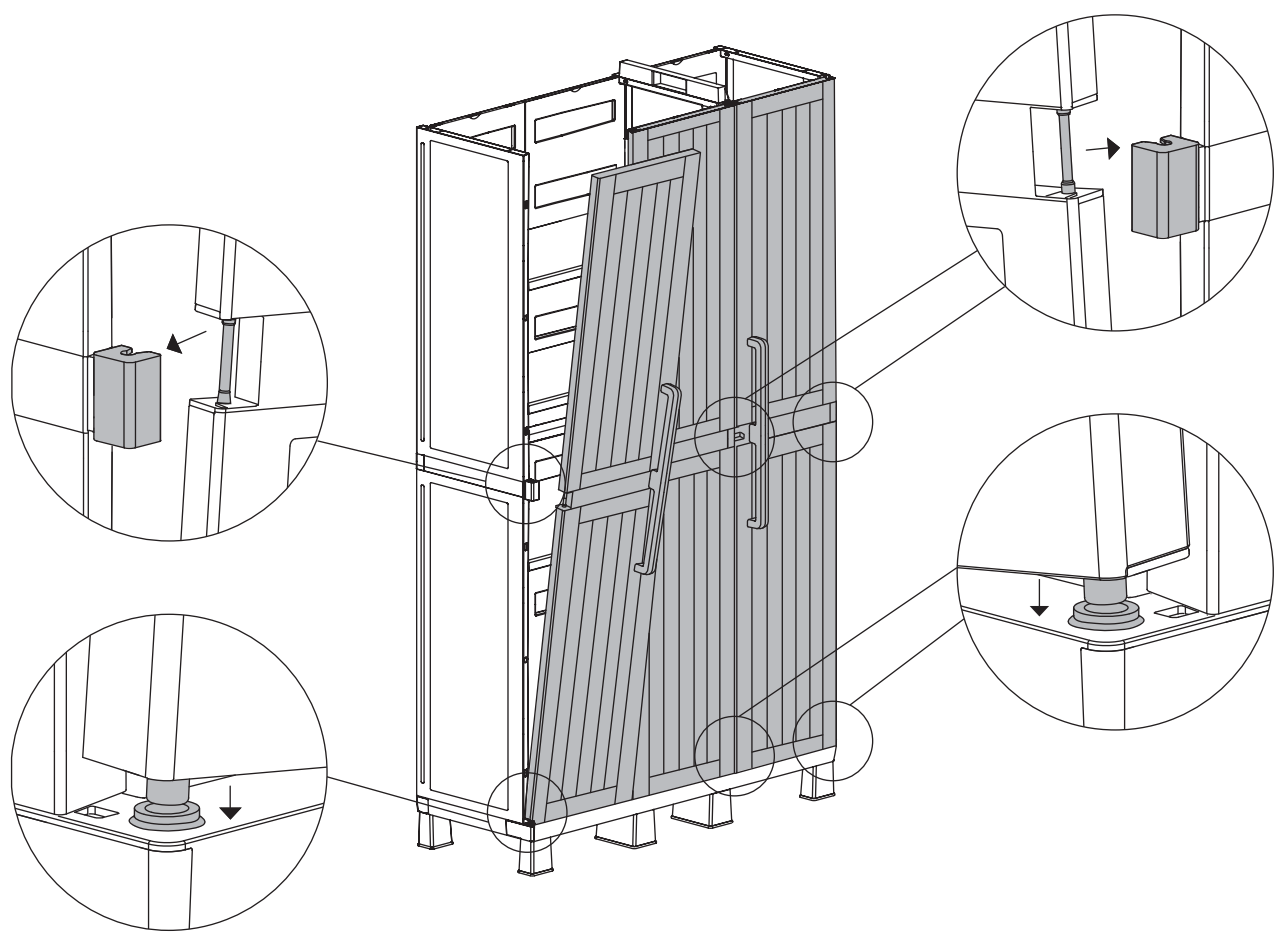




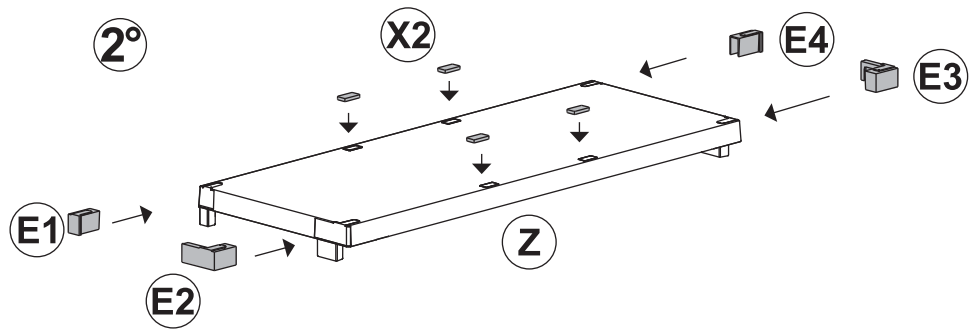
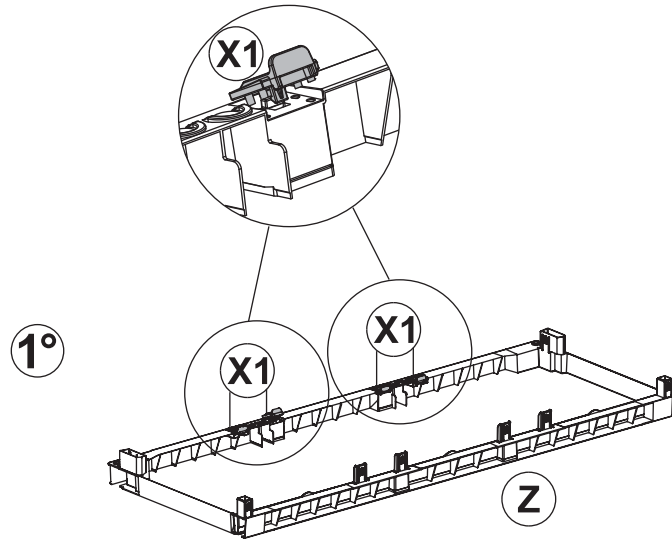
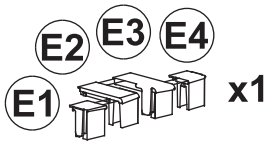
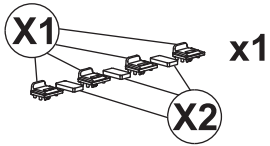
11



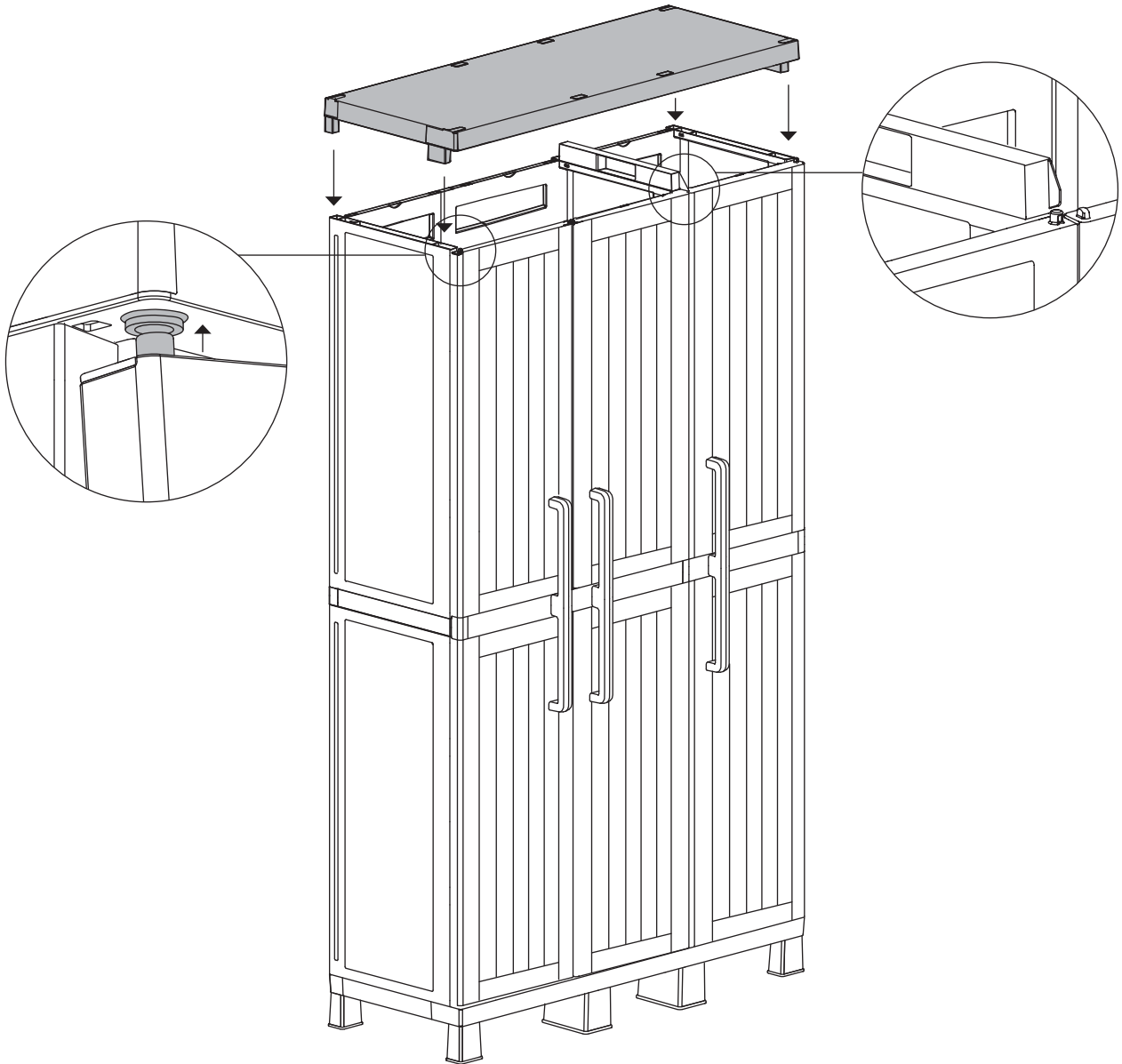
12



13



14





**Plastmeccanica S.p.A.**

Viale del Lavoro, 3

60030 Castelbellino (An) - ITALY

Tel. +39 0731 70766 - Fax +39 0731 703796

info@plastmeccanica.it



[www.toomax.it](http://www.toomax.it)